

SETUP SHEET RC10B3

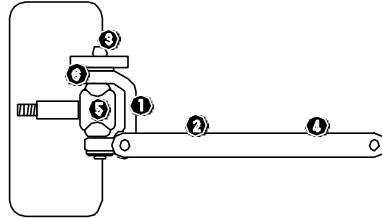
driver Billy Easton
Hot Rod/Sugus, CA
track/city 2001 Reedy Race of Champions

event _____ date 1-19-01

- Numbers in squares are cross-referenced to those in the #6194 Complete Tuning Guide: B3.
- Numbers in circles refer to features in drawings on this page.

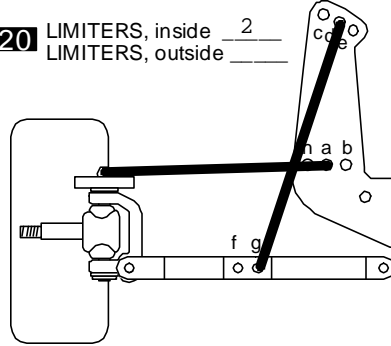
FRONT SUSPENSION

- 4** ① **1** CASTER 25° 30°
- 5** ② **2** FRONT RIDE HEIGHT ARMS LEVEL other _____
- 1** ③ **3** CAMBER -1°
- 6** ④ **4** ANTI ROLL BAR NONE
 THICK
 THIN
 other _____
- 3** ⑤ **5** TOE-IN 0° TOE-OUT 0°
- 8** ⑥ **6** BUMP STEER SPACERS 0
- 7** STEERING ACKERMAN STD OPTIONAL



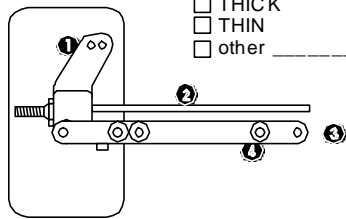
FRONT SHOCKS

- 15** BODY STD GRAY other _____
- BODY .89 other _____
- 17** SHAFT .71 other _____
- SHAFT STD Unobtainium
- 20** LIMITERS, inside 2
- LIMITERS, outside _____
- 18** PISTON # 2
- 19** SPRING BLUE
- 16** OIL 35 wt
- 2** CAMBER LINK ADJ
tower: a b/h
- 21** SHOCK MOUNTING
tower: c d e arm: f g

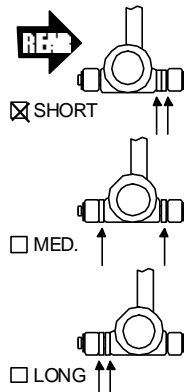


REAR SUSPENSION

- 11** ① **1** CAMBER -1°
- 14** ② **2** REAR RIDE HEIGHT
 BONES LEVEL other _____
- 10** MIP CVD's DOGBONES UNIVERSALS
- 13** ③ **3** TOE-IN / **9** ANTI-SQUAT 2-3 3-3 3-0
- 6** ④ **4** ANTI ROLL BAR NONE
 THICK
 THIN
 other _____

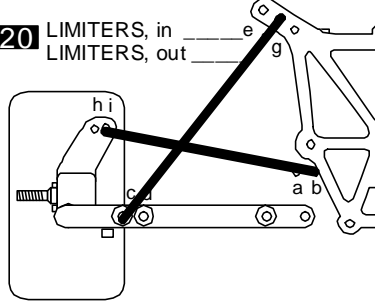


38 WHEELBASE ADJUSTMENT



REAR SHOCKS

- 15** BODY STD GRAY other _____
- BODY 1.32 other _____
- 17** SHAFT 1.02 other _____
- SHAFT STD Unobtainium
- 20** LIMITERS, in _____
- LIMITERS, out _____
- 18** PISTON # 1
- 19** SPRING SILVER
- 16** OIL 30 wt
- 22** SHOCK MOUNTING
tower: e f g arm: c d
- 12** CAMBER LINK ADJ
on tower: a b arm: h i



OTHER

- 37** WEIGHT IN BULKHEAD 1oz. **41** _____
- 40** BODY Protoform B2 Blast WING
- 23** FRONT TIRES Pro-Line 8176 M3 **24** FOAM white
- 23** REAR TIRES Pro-Line 8189 M3 **24** FOAM white
- 23** TRACTION COMPOUND none
- 25** FRONT WHEELS 1 PC. 3 PC. other wide
- REAR WHEELS 1 PC. 3 PC. other wide
- 36** CHASSIS STD SHORT LONG GRAPHITE
- 31** MOTOR Reedy X 10/4
- 32** BRUSH Reedy 760 **33** SPRING _____
- 34** PINION 19 T **35** SPUR 81 T
- 39** SLIPPER ASSOC. HYDRA VISCOUS
SLIPPER STD looser tighter
- 26** BATTERIES Reedy Zapper 2400
- 27** BATTERY PLACED FRONT F-MIDDLE MID R-MIDDLE REAR
- 28** RADIO Airtronics **29** SERVO Airtronics **30** SPD. CONT. LRP

42 TRACK CONDITIONS

SURFACE smooth bumpy BUMPS: _____

TRACTION low med. high

COMPOSITION

sandy soft dirt grass clay other _____

wet dry dusty other _____

other: _____

43 RACE COMMENTS

MAIN _____ PLACE 1st TQ

NOTES _____

44 BUGGY COMMENTS

NOTES _____