

SETUP SHEET RC10B3

TEAM ASSOCIATED

driver Billy Easton
 track / city Saugus, CA-- Hot Rod Hobbies
 event 1999 NORRCA Off Road Nats date Aug 1999

- Numbers in squares are cross-referenced to those in the #6194 Complete Tuning Guide: B3.
- Numbers in circles refer to features in drawings on this page.

FRONT SUSPENSION

4 **1** CASTER 25° 30°

5 **2** FRONT RIDE HEIGHT ARMS LEVEL other _____

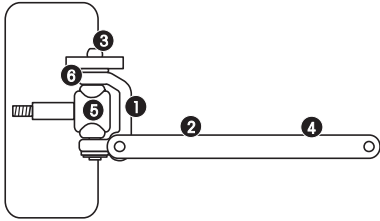
1 **3** CAMBER _____ -2°

6 **4** ANTI ROLL BAR NONE
 THICK
 THIN
 other _____

3 **6** TOE-IN _____ -1° TOE-OUT _____ 0°

8 **6** BUMP STEER SPACERS _____ 1

7 STEERING ACKERMAN STD OPTIONAL



FRONT SHOCKS

15 BODY STD GRAY other _____
 BODY .89 other _____

17 SHAFT .71 other _____
 SHAFT STD Unobtainium

20 LIMITERS, inside 2
 LIMITERS, outside 0

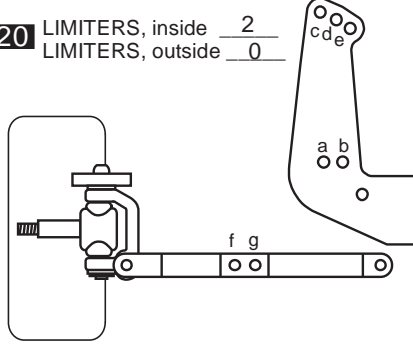
18 PISTON # 2

19 SPRING SILVER

16 OIL 37.5 wt

2 CAMBER LINK ADJ tower: a b

21 SHOCK MOUNTING tower: c / d e arm: f / g



REAR SUSPENSION

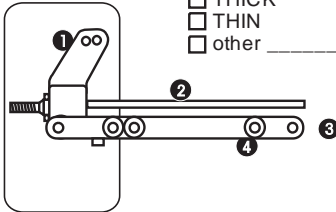
11 **1** CAMBER _____ -2°

14 **2** REAR RIDE HEIGHT BONES LEVEL other BELOW LEVEL

10 MIP CVD's DOGBONES UNIVERSALS

13 **3** TOE-IN / **9** ANTI-SQUAT 2-3 3-3 3-0

6 **4** ANTI ROLL BAR NONE
 THICK
 THIN
 other _____



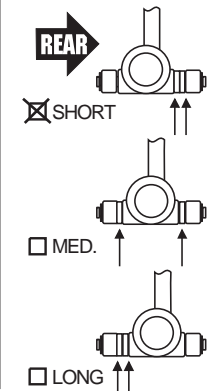
38 WHEELBASE ADJUSTMENT

REAR

SHORT

MED.

LONG



REAR SHOCKS

15 BODY STD GRAY other _____
 BODY 1.32 other _____

17 SHAFT 1.02 other _____
 SHAFT STD Unobtainium

20 LIMITERS, in 4
 LIMITERS, out 1

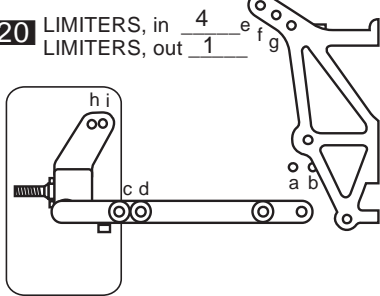
18 PISTON # 3

19 SPRING SILVER

16 OIL 30 wt

22 SHOCK MOUNTING tower: e / f g arm: c d

12 CAMBER LINK ADJ on tower: a b arm: h i



OTHER

37 WEIGHT IN BULKHEAD 1 oz. **41**

40 BODY Pro-Line Deja Vu 2 WING

23 FRONT TIRES LOSI RIBBED **24** FOAM FIRM

23 REAR TIRES LOSI X-2000 **24** FOAM FIRM

TRACTION COMPOUND 0

25 FRONT WHEELS 1 PC. 3 PC. other _____

REAR WHEELS 1 PC. 3 PC. other _____

36 CHASSIS STD SHORT LONG GRAPHITE

31 MOTOR REEDY 10 X 2

32 BRUSH REEDY 760X **33** SPRING STANDARD

34 PINION 19 T **35** SPUR 81 T

39 SLIPPER ASSOC. HYDRA VISCOUS
 SLIPPER STD looser tighter

26 BATTERIES ZAPPER 2000

27 BATTERY PLACED FRONT F-MIDDLE MID R-MIDDLE REAR

28 RADIO M8 **29** SERVO AIRTRONICS **30** SPD. CONT. V7.1

42 TRACK CONDITIONS

SURFACE smooth bumpy BUMPS: _____

TRACTION low med. high

COMPOSITION

sandy soft dirt grass clay other _____

wet dry dusty other _____

other: _____

43 RACE COMMENTS

MAIN A PLACE 1st TQ

NOTES _____

44 BUGGY COMMENTS

NOTES _____